



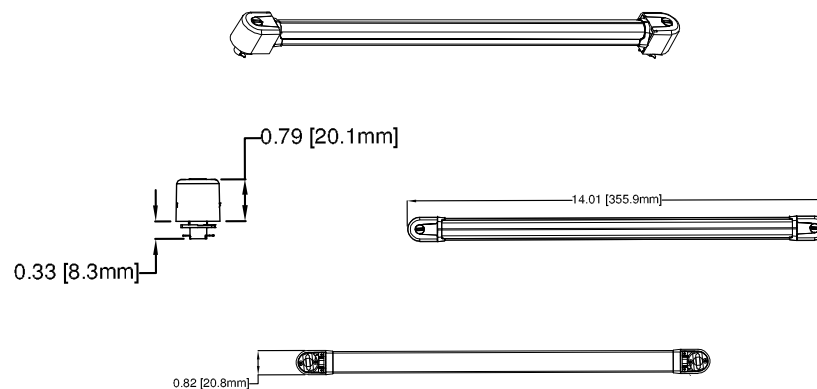
Peninsula Series P3000 3' Track KIT Includes:

Quantity	Califia Lighting Part Number	Description
2	P3000 - __ - TR	LED Luminaire, available in 3 color temps, see individual specs on Peninsula product page.
1	CTR-36B	Track, 3' Black
1	CTR-EN01B	Live End Feeder For Power Supply Connection
1	SW-1002	In-line On/Off Switch

POWER SUPPLY SOLD SEPARATELY. CALIFIA PART NUMBER PS-1032, 12 WATT POWER SUPPLY

The Peninsula's durable plastic construction makes it an economical lightweight luminaire delivering a wide range of semi-diffused light output. This track compatible luminaire is available with 2', 3', and 4' tracks and can easily be extended to longer lengths and at 90° angles for corner mounting.

P3000 - __ - TR

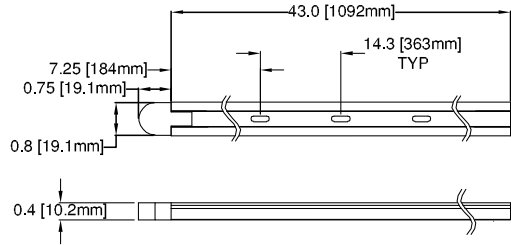


Black 3' Track



CTR - 36B

The Califa Track Systems are easy to modify or customize to fit your lighting needs. They are available in standard lengths and can easily utilize accessories to increase the length, fit corners, and decoratively hide unsightly wires.

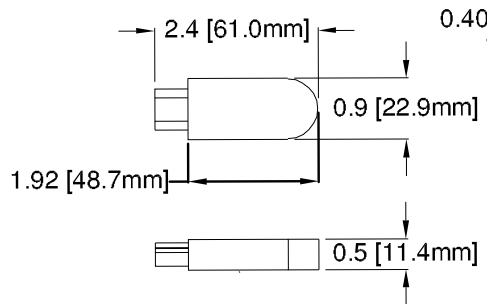


Black Live End Feeder



CTR-EN01B

The Live End Feeder allows for track to power connections.

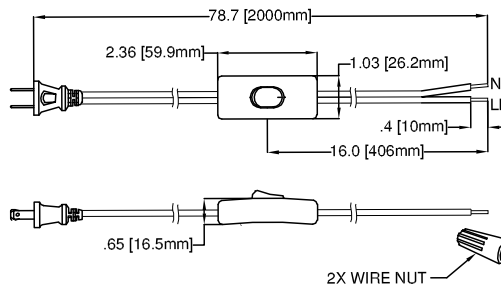


In-line On/Off Switch



SW - 1002

The In-line On/Off switch allows for control of the power directly at the source.



Ordering Information

Example: P3000-C-KIT-301

Model	Color	Kit Number	Description
P3000	C	KIT - 301	3' P3000 Track Kit, C = Color Temperature 6500K, Cool White
	N	KIT - 302	3' P3000 Track Kit, N = Color Temperature 4750K, Neutral White
	W	KIT - 303	3' P3000 Track Kit, W = Color Temperature 3100K, Warm White

Mouser Electronics

Authorized Distributor

Click to View Pricing, Inventory, Delivery & Lifecycle Information:

[Califia:](#)

[P3000-C-KIT-301](#) [P3000-N-KIT-302](#) [P3000-W-KIT-303](#)